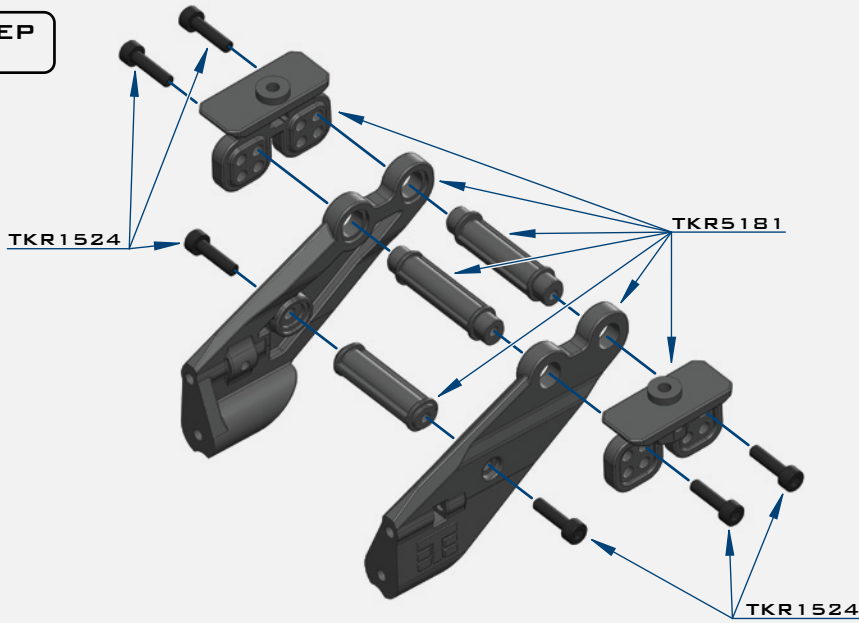


# TKR5181

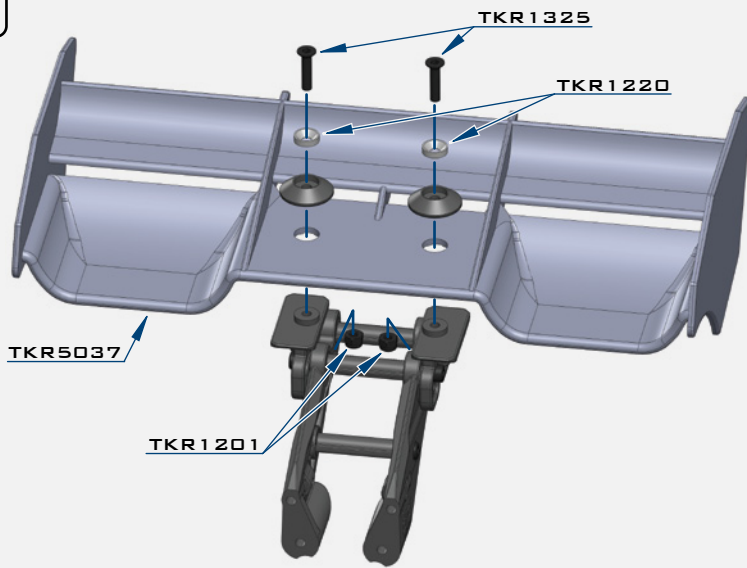
## LOW PROFILE WING MOUNT

(HARDWARE NOT INCLUDED:  
RE-USE EXISTING HARDWARE)

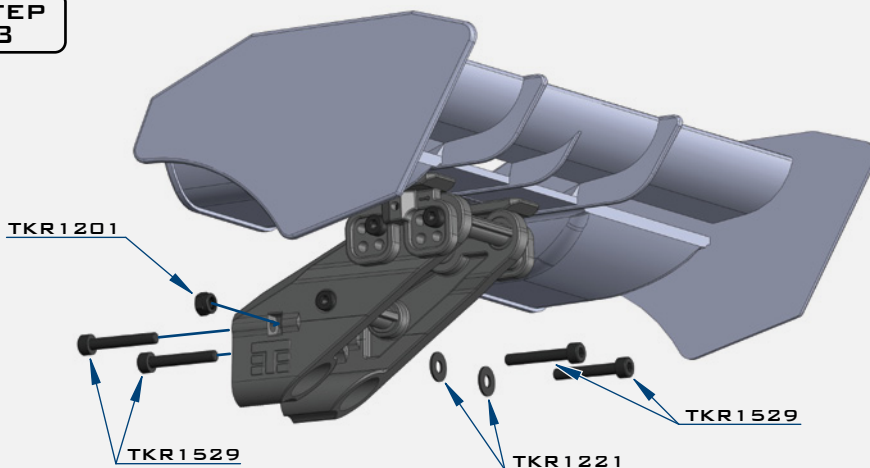
### STEP 1



### STEP 2

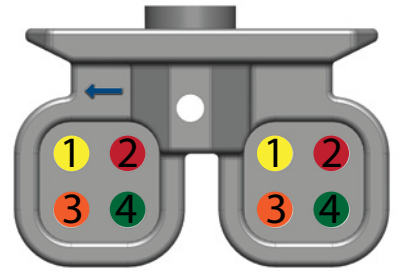


### STEP 3



## SETTINGS

### POSITION SETTINGS



- 1 - REARWARD / LOW
- 2 - FORWARD / LOW
- 3 - REARWARD / HIGH
- 4 - FORWARD / HIGH

### DOWNFORCE SETTINGS

